

Coffee System Coffee Grinder with Hopper, 0,7 kg, black

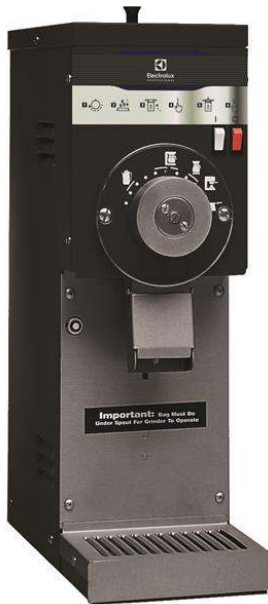
ITEM # _____

MODEL # _____

NAME # _____

SIS # _____

AIA # _____


600657 (E835B)

 Single Portion Grinder with
 one 0,7 kg hopper (grind
 types: Turkish, Espresso,
 Fine, Auto Drip, Drip,
 Percolator, Coarse)

Short Form Specification

Item No. _____

 Coffee grinder with hopper, black color. Fast grind time,
 suitable for various types of coffee. Compact dimensions
 for table top configuration.

 Powerful motor with circuit breaker and manual on/off
 switch.

Main Features

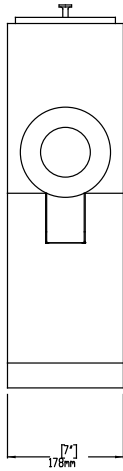
- Easy-to-Follow instructions.
- Fast grind time.
- Steep slope hopper promotes a bean flow without blocking.
- Ideal for all self-service applications, including grocery stores and specialty shops.
- How to Operate:
 - 1. Turn the selector knob to the desired grind setting.
 - 2. Fill the hopper with the desired type and amount of whole bean coffee. Close the lid.
 - 3. Place the bag underneath the spout.
 - 4. Press the start button.
 - 5. Press the stop button after the grinder has completed grinding.
 - 6. Remove bag from coffee spout once coffee is ground.

Construction

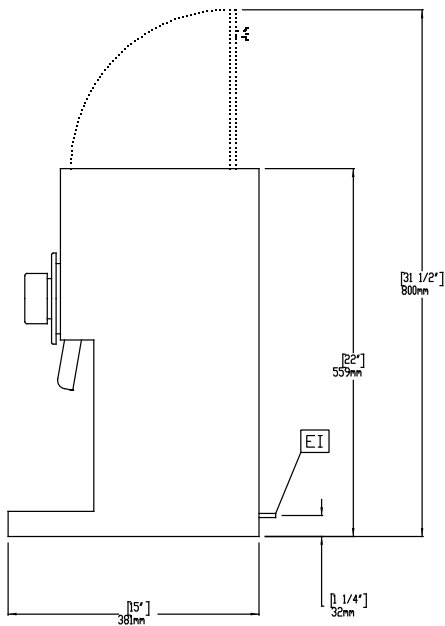
- Powerful motor with circuit breaker.
- Separate start/stop push buttons.
- Precision burrs.
- Stainless steel tidy tray with pull out drawer.
- Stainless steel front panel.

APPROVAL: _____

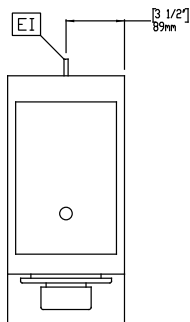
Front



Side



Top



Electric

Supply voltage:

600657 (E835B)

220-240 V/1N ph/50/60 Hz

Electrical power max.:

1.8 kW

Key Information:

External dimensions, Width: 178 mm

External dimensions, Depth: 381 mm

External dimensions, Height: 559 mm

Net weight: 18 kg

Shipping weight: ISO 9001; ISO 14001 kg

Shipping height: 699 mm

Shipping width: 318 mm

Shipping depth: 470 mm

 Shipping volume: 0.1 m³